

DIESEL PUMPSET



KOHLER[®]
IN POWER. SINCE 1920.

LIGHTWEIGHT PORTABLE PUMPSET

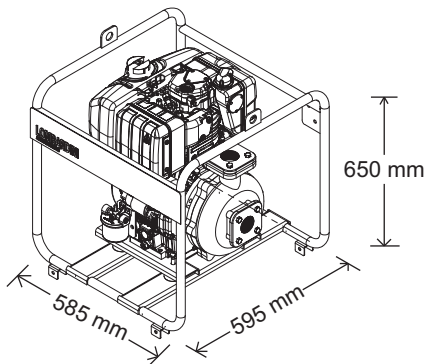
WHY KOHLER?

- International quality
- Higher durability
- Portable and lightweight
- Low operating cost
- Ready availability of spare parts
- Ease of serviceability

Applications



Dimensions



TECHNICAL SPECIFICATIONS:

Pumpset Specification						
Liquid Type	Water					
Suction diameter	75 mm					
Back flow diameter	75 mm					
Out flow range	700 - 230 LPM					
Head range	10 - 60 mtrs					
Dry Weight	90 Kg					
Engine Specification						
Engine Model	KD441					
Displacement	441 cc					
Bore	86 mm					
Stroke	76 mm					
Rated KW / HP @ 3600 RPM	7 / 9.3					
Max Torque (Nm) @ RPM	21.5 @ 2200					
Min allowable oil pressure	1 - 1.5 bar					
Starting type	Rope / Recoil / Starter					
Fuel	Diesel					
Fuel Tank capacity	5 Ltrs					
Oil system capacity including filters	1.5 Ltrs					
Fuel consumption	1.44 Ltrs/Hr					
Discharge Vs Head						
Head (m)	10	20	30	40	50	60
Discharge (LPM)	700	650	560	450	330	230

☎ 1800 266 0600 | 📞 +91 95 2777 7779 | 🌐 kohlerpower.in | ✉ kpi.info@kohler.com

KOHLER
IN POWER. SINCE 1920.

Kohler Power India Pvt. Ltd

Corporate Office

701 & 702, Pentagon P5, Magarpatta City
Hadapsar, Pune 411013, Maharashtra

Regional Offices

Pune +91 20 66497101 | New Delhi +91 8750332626
Kolkata +91 33 40633512 | Bengaluru +91 80 42867000

LOMBARDINI
A KOHLER COMPANY